

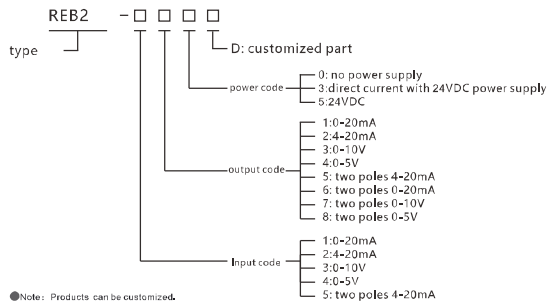
Signal Isolator

Overview

It is applicable for accurately converting analog signals, reliable electrical isolation, and providing sensor power distribution to ensure accurate and reliable transmission of various control loop signals. Our REB2 series isolators are used reliably in various industries for many years and have been widely recognized by the customers. The product has the following advantages:

- > Easy installation and disassembly, used with 35mm din rail.
- > Moisture-proof, salt spray prevention, mildew proof function.
- > Short-circuit protection at the output.
- > Unique circuit shielding method, strong interference suppression ability.
- > Conforms to RoHS standards.

Model Implication



Parameters

Input	
Nominal value	Voltage: 0~75mV, 0~5V, 0~10V, 0~300V; current: 0~20mA, 4~20mA
Continuous input capability	120% nominal value
Resistance	Current input ≤20Ω, voltage input ≥100kΩ
Feature	
Accuracy grade	±0.1%F.S (23°C)
Temperature drift	≤80ppm/CF.S
	≤100ms
Insulation resistance	≥100MΩ(500VDC·1min)
Power-frequency withstand voltage	2kV/50Hz·1min(Input-Output) 2kV/50Hz·1min(Input-power supply) 2kV/50Hz·1min(Output-power supply)
EMC standard	GBT17626 IEC61326
Output	
Analog output	4~20mA, 0~20mA, 0~5V, 0~10V
Load	Current output: ≤600Ω; voltage output: ≥10kΩ
Output protec	short-circuit protection, open-circuit protection
Max. output current	25mA
Power supplies	
Rated voltage	24VDC 15~60VAC/DC
Voltage range	24VDC±20% 15~60VAC/DC
Power consumption	≤3W ≤3VA/W



Temperature

Working ambient temperature	-25°C~+60°C
Storage temperature	-40°C~+85°C
Relative humidity	5%~90%(No condensation or freeze); When temp. is between +40°C and +65°C, relative humidity should be no more than 50%.
Atmospheric pressure	80 kPa~110 kPa, altitude within 2000m.

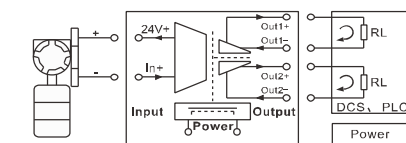
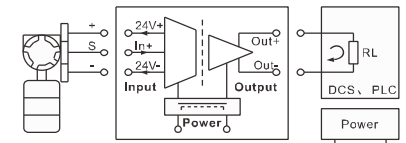
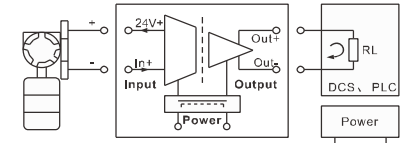
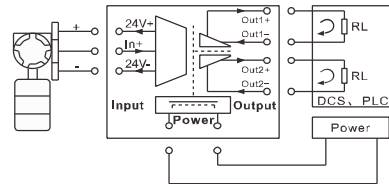
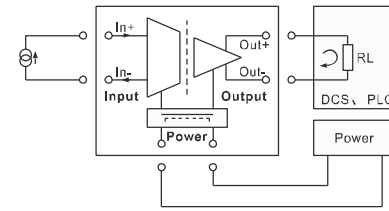
Appearance

Installation way	32/35mm din rail
Dimension(W/T/H)	102/12.5/108mm
Weight	150g
Tightening torque	0.4Nm

Specification

Type	Input signal	Output	Auxiliary power supply	Order No.
REB2-223	4~20mADC	4~20mADC	24VDC±20%	763245
REB2-233	4~20mADC	0~10VDC	24VDC±20%	763246
REB2-243	4~20mADC	0~5VDC	24VDC±20%	763247
REB2-213	4~20mADC	0~20mADC	24VDC±20%	763244
REB2-323	0~10VDC	4~20mADC	24VDC±20%	763249
REB2-335	0~10VDC	0~10VDC	24VDC±20%	763250
REB2-313	0~10VDC	0~20mADC	24VDC±20%	763248
REB2-223D	4~20mADC	4~20mADC	24VDC±20%	763276
REB2-253	4~20mADC	Two poles 4~20mADC	24VDC±20%	763264
REB2-353	0~10VDC	Two poles 4~20mADC	24VDC±20%	763268
REB2-453	0~5VDC	Two poles 4~20mADC	24VDC±20%	763272
REB2-252	4~20mADC	Two poles 4~20mADC	15~60VAC/DC	
REB2-352	0~10VDC	Two poles 4~20mADC	15~60VAC/DC	
REB2-452	0~5VDC	Two poles 4~20mADC	15~60VAC/DC	
REB2-550	Two poles 4~20mADC	Two poles 4~20mADC	No	763099

Diagram



Dimension

